



THE TUBES are the new collection in blown glass according to the ancient handcraft tradition of Murano. Cylindrical colorful glass paste suspensions that fade away their colour in the total transparency, are characterized by linear simplicity, explicit expression of pure elegance. The glass cylinders can be use individually or in composition of three elements. The design is completed by the power cable covered by the characteristic red fabric.

DESCRIPTION

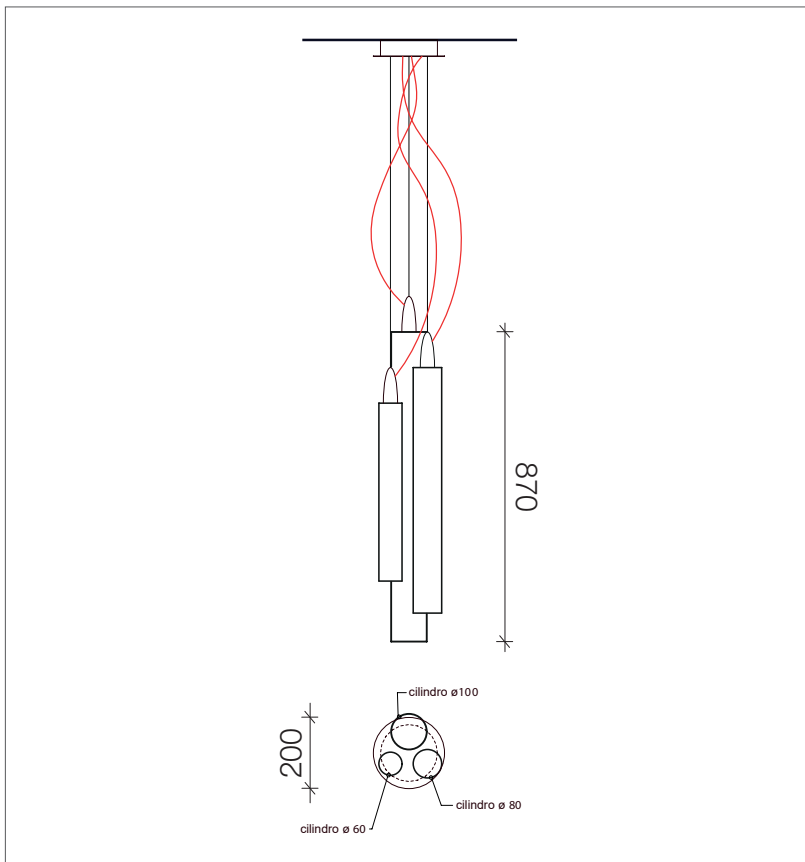
Suspension lamp with direct and indirect light.
Glass diffusor.
Painted metal structure.
Suspended by steel cable.
Red decorative electric cable.

FINISHES

STANDARD	SPECIAL
White Fading	Gold
Black Fading	Rose Gold
	Nickel Black

Article	Colour Temperature (K)	Power (W)	Nominal Flux	Measures (cm)	Weight (kg)
The Tubes Composition	3.000 K	3x 7W	3x 540 lm	Ø20 x 130	4,5

CE 4,5 IP 20



This device is equipped with integrated LED lamps.

The lamps of this device are not replaceable.

A++ A+ A B C D E F } LED

LIGHTDROPSDESIGN
THE TUBES - composition

874/2012

CODE CREATION

MODEL

Composition The Tubes composed by:
LDDTUBC - ceiling fixing for The Tubes composition (three LED light included)

- + LDDTUBV6 - glass The Tubes Ø6
- LDDTUBV8 - glass The Tubes Ø8
- LDDTUBV10 - glass The Tubes Ø10

FINISHES

- 1 - white fading
- 2 - black fading
- 3 - black nickel
- 4 - rose gold
- 5 - gold