



Experimentation and innovation were chosen to define this lighting fixture like a string to the definition of these lighting fixtures, this design is produced with high technology to achieve maximum performance. The LED light beam emitted aims to illuminate accurately specific areas, while the glass terminal enhances its presence in the light diffusion. The glasses terminal elements allows the diffusion of light.

DESCRIPTION

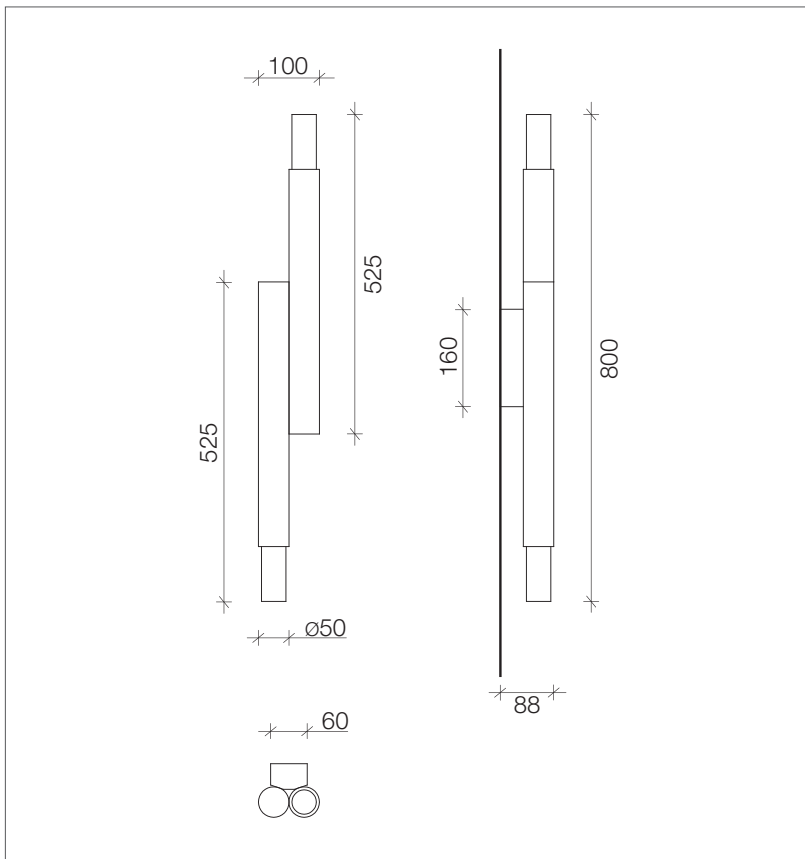
Wall lamp with double direct light.  
Painted metal structure.  
Glass terminal element.  
Width 10 cm.

FINISHES

STANDARD	SPECIAL
White	Copper Matt
Black	Gold Matt
Tan	

Article	Colour Temperature (K)	Power (W)	Nominal Flux	Measures (cm)	Weight (kg)
Stick wall	3.000 K	2x 5W	2x 550 lm	10 x h.80	4,5

CE IP 44



This device is equipped with integrated LED lamps.

The lamps of this device are not replaceable.

LIGHTDROPSDESIGN  
STICK WALL LAMP

874/2012

Energy efficiency class: A++ (LED), A+, A, B, C, D, E (crossed out)

CODE CREATION

MODEL

FINISHES

LDDSTKA - stick wall

- 1 - white
- 2 - black
- 3 - tan
- 4 - gold matt
- 5 - copper matt