



Minimal and essential lines characterize the Skyring joining design and technology in the geometric and rigorous shape of a circle, the symbol of perfection. The Skyring is constituted by two concentric metallic shaped and calendered profiles. Between them, in the lower part there is a Plexiglas diffuser disposed that evenly distributes the light produced by a strip LED (15.2W/m, 3000K, 24V). The fixing is possible with three cables placed independently on the perimeter and go up to the ceiling rosette or converge in the central fixing. The power cables are highlighted by textile covered in red colour. Fixing and power cables have customizable length. The light intensity can be adjusted by a Led dimmer and are also available in bidirectional emission models.

DESCRIPTION

Suspension lamp with direct light
Painted metal structure.
Red decorative electric cable.
Fixing by five cables and three different types of connections:



Central fixing



Recessed decentralized fixing

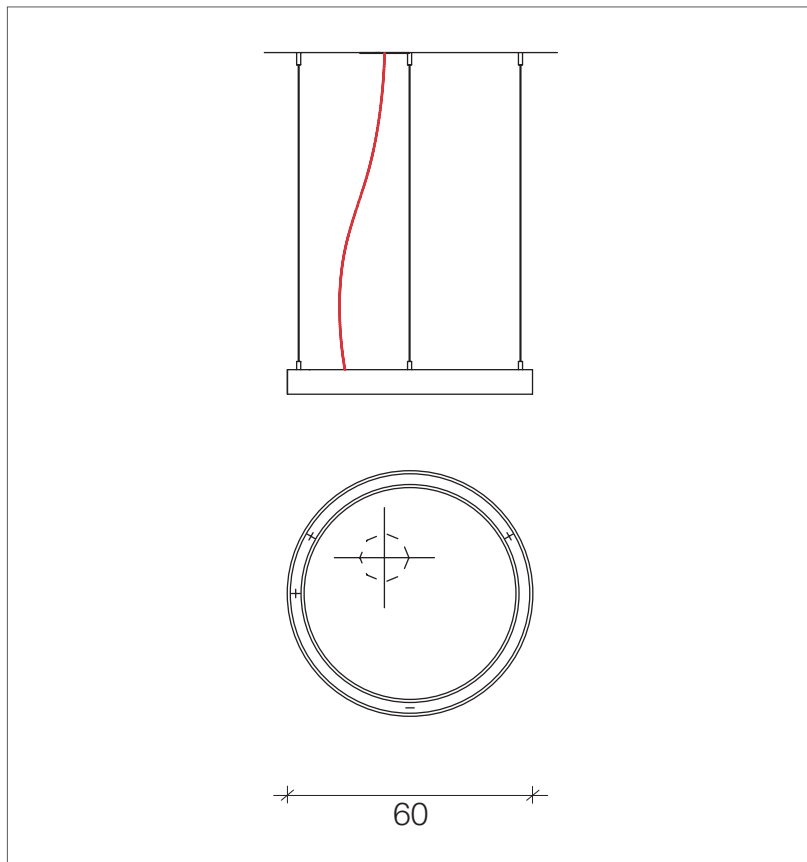


Ceiling decentralized fixing

Table with 6 columns: Article, Colour Temperature (K), Power (W), Nominal Flux, Measures (cm), Weight (kg). Row 1: Skyring Ø60, 3.000 K, 57W, 6.800 lm, 60x60x6, 6,7

FINISHES

Table with 2 columns: STANDARD, SPECIAL. STANDARD includes White, Black, Tan. SPECIAL includes Copper Matt, Gold Matt.



Energy label for the device showing LED lamp efficiency (A++ to E), integrated LED lamps, and manufacturer information (LIGHTDROPSDESIGN SKYRING 60).

CODE CREATION

Table with 4 columns: MODEL, FINISHES, CEILING FIXING, DRIVER. Row 1: LDDSKY60 - skyring 60cm, 1 - white, 2 - black, 3 - tan, 4 - gold matt, 5 - copper matt, C - central fixing, D - recessed decentralized fixing, P - ceiling decentralized fixing, O - on/off, E - dimmable DALI - 0-10 - 1-10 PushDim - potentiometer