



Minimal and essential lines characterize the Skyring joining design and technology in the geometric and rigorous shape of a circle, the symbol of perfection. The Skyring is constituted by two concentric metallic shaped and calendered profiles. Between them, in the lower part there is a Plexiglas diffuser disposed that evenly distributes the light produced by a strip LED (15.2W/m, 3000K, 24V). The fixing is possible with three cables placed independently on the perimeter and go up to the ceiling rosette or converge in the central fixing. The power cables are highlighted by textile covered in red colour. Fixing and power cables have customizable length. The light intensity can be adjusted by a Led dimmer and are also available in bidirectional emission models.

DESCRIPTION

Suspension lamp with direct light

Painted metal structure.

Red decorative electric cable.

Fixing by five cables and three different types of connections:



Central fixing



Recessed decentralized fixing

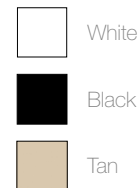


Ceiling decentralized fixing

Article	Colour Temperature (K)	Power (W)	Nominal Flux	Measures (cm)	Weight (kg)
Skyring Ø60	3.000 K	57W	6.800 lm	60x60x6	6,7

FINISHES

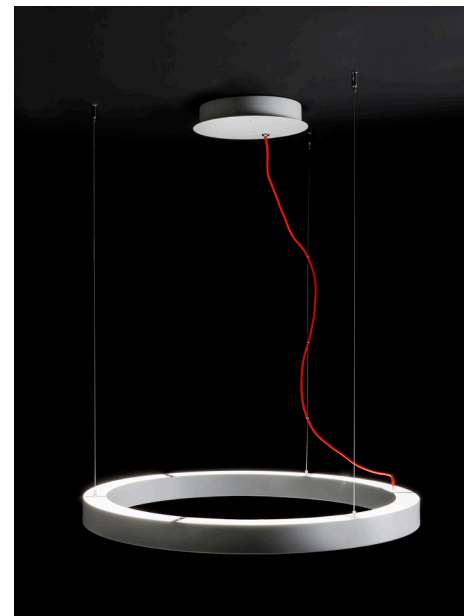
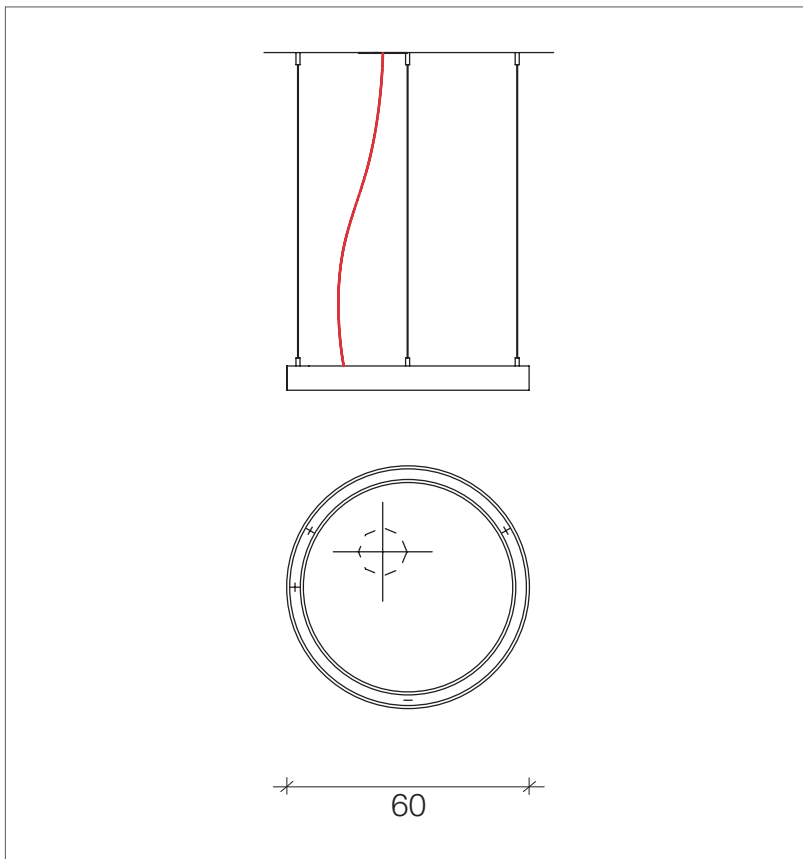
STANDARD



SPECIAL



IP 44



This device is equipped with integrated LED lamps.

The lamps of this device are not replaceable.

LIGHTDROPSDESIGN
SKYRING 60 - bidirectional emission

874/2012

CODE CREATION

MODEL	FINISHES	CEILING FIXING	DRIVER
-------	----------	----------------	--------

LDDSKY60B - skyring 60cm biemission

1 - white
2 - black
3 - tan
4 - gold matt
5 - copper matt

C - central fixing
D - recessed decentralized fixing
P - ceiling decentralized fixing

O - on/off
E - dimmable DALI - 0-10 - 1-10
PushDim - potentiometer