



Minimal and essential lines characterize the Skyring joining design and technology in the geometric and rigorous shape of a circle, the symbol of perfection. The Skyring is constituted by two concentric metallic shaped and calendered profiles. Between them, in the lower part there is a Plexiglas diffuser disposed that evenly distributes the light produced by a strip LED (15.2W/m, 3000K, 24V). The fixing is possible with three cables placed independently on the perimeter and go up to the ceiling rosette or converge in the central fixing. The power cables are highlighted by textile covered in red colour. Fixing and power cables have customizable length. The light intensity can be adjusted by a Led dimmer and are also available in bidirectional emission models.

DESCRIPTION

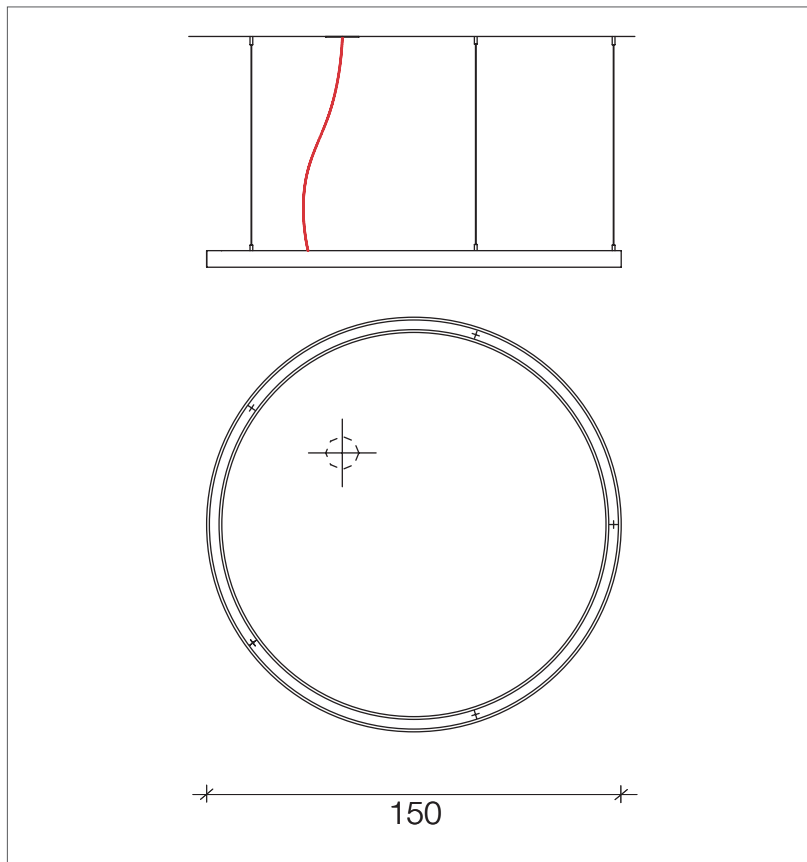
Suspension lamp with direct light
Painted metal structure.
Red decorative electric cable.
Fixing by five cables and three different types of connections:



FINISHES

Table with 2 columns: STANDARD (White, Black, Tan) and SPECIAL (Copper Matt, Gold Matt)

Table with 6 columns: Article, Colour Temperature (K), Power (W), Nominal Flux, Measures (cm), Weight (kg)



Energy label with icons for LED, lamp type, and energy efficiency classes (A++ to F). Includes text: 'This device is equipped with integrated LED lamps. The lamps of this device are not replaceable.' and 'LIGHTDROPSDESIGN SKYRING 150 874/2012'

CODE CREATION

Table with 4 columns: MODEL, FINISHES, CEILING FIXING, DRIVER