



Archetype of the suspension as a "bell", Cup reinterprets the sign using high efficiently Led technology. The presence of shaped Plexiglas elements it contributes to the diffusion of indirect lighting. The light intensity can be adjustable by a dimmer. The product is equipped with multi switches to achieve different lighting scenarios.

DESCRIPTION

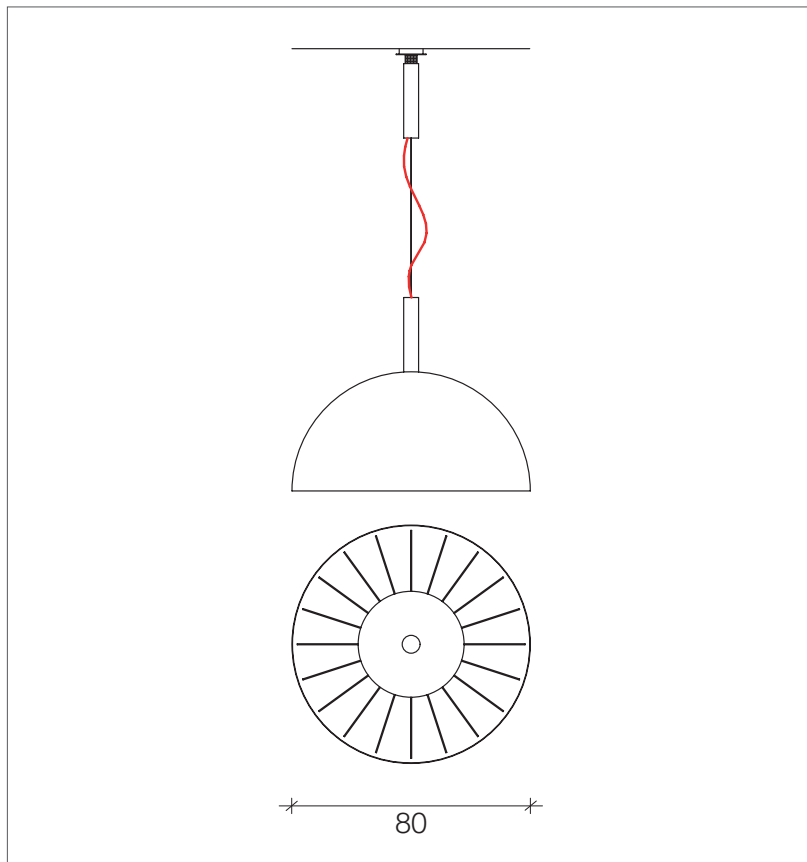
Suspension lamp with indirect light.
Painted metal structure.
Aluminum dome lampshade.
Red decorative electric cable.

FINISHES

STANDARD		SPECIAL	
	White		Copper Matt
	Black		Gold Matt
	Tan		

Article	Colour Temperature (K)	Power (W)	Nominal Flux	Measures (cm)	Weight (kg)
Cup Ø80	3.000 K	19W + 5W	2,600+500 lm	80x80x65	15,0

CE IP 20



This luminaire is compatible with bulbs of this energy classes: **A++**, **A+**, **A**, **B**, **C**, **D**, **E**. **LED**

This luminaire is sell with LED bulb in energy class: **A+**

LIGHTDROPSDESIGN CUP 80 **874/2012**

CODE CREATION

MODEL	INSIDE FINISHES	FINISHES
LDDCUP80 - cup 80cm	1 - white	1 - white 2 - black 3 - tan 4 - gold matt 5 - copper matt