



Archetype of the suspension as a "bell", Cup reinterprets the sign using high efficiently Led technology. The presence of shaped Plexiglas elements it contributes to the diffusion of indirect lighting. The light intensity can be adjustable by a dimmer. The product is equipped with multi switches to achieve different lighting scenarios.

DESCRIPTION

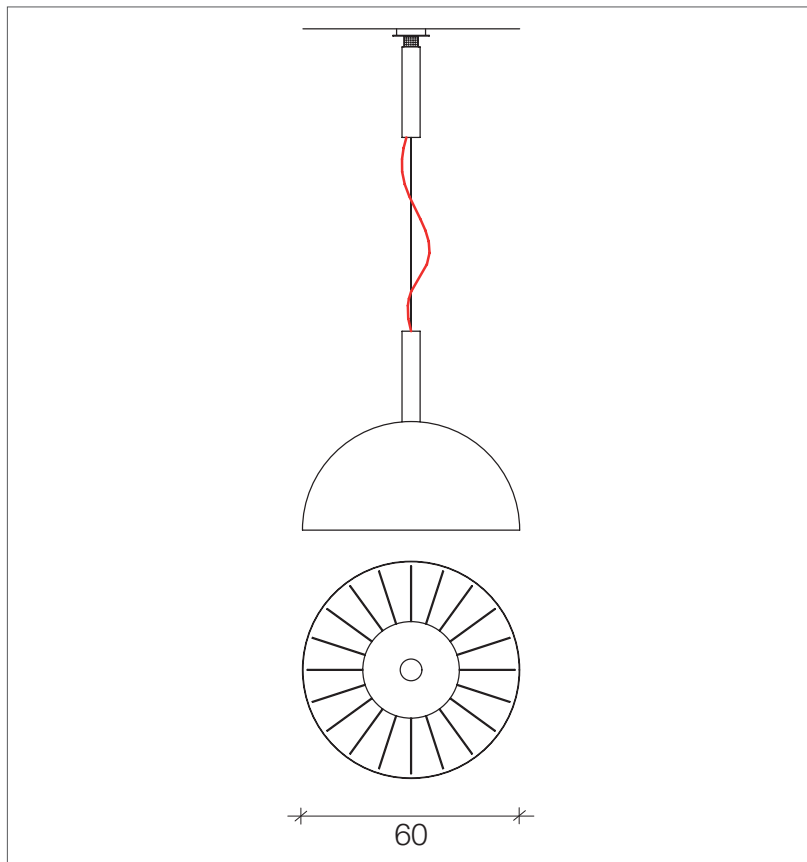
Suspension lamp with indirect light.
Painted metal structure.
Aluminum dome lampshade.
Red decorative electric cable.

FINISHES

STANDARD	SPECIAL
White	Copper Matt
Black	Gold Matt
Tan	

Article	Colour Temperature (K)	Power (W)	Nominal Flux	Measures (cm)	Weight (kg)
Cup Ø60	3.000 K	10W + 5W	1.400+500 lm	60x60x55	11,0

CE IP 20



This luminaire is compatible with bulbs of this energy classes: **A++**, **A+**, **A**, **B**, **C**, **D**, **E**

This luminaire is sell with LED bulb in energy class: **A+**

LIGHTDROPSDESIGN CUP 60 874/2012

CODE CREATION

MODEL	INSIDE FINISHES	FINISHES
LDDCUP60 - cup 60cm	1 - white	1 - white 2 - black 3 - tan 4 - gold matt 5 - copper matt